



Summary

StarLite provides a transparent serial interface for the IEEE 802.15.4 standard for low data-rate networks. It is ideal for OEMs who need to add command-free single-hop wireless serial communications to their products. It incorporates an FCC / CE certified IEEE 802.15.4 transceiver.

StarLite permits point-to-point, star, broadcast and addressed communications architectures. The PixieMAC firmware (refer to separate documentation) provides a more flexible command-oriented interface for more demanding applications.

Firmware Features:

- Communications modes supported:
 - Point-to-point
 - Star
 - Broadcast
 - Addressed
- One coordinator can support up to 255 end devices
- Low latency fast end devices
- Sleepy USB end devices can be intermittently present
- Practical over-the-air data rate 19200 baud approx
- Coordinator packet cache of up to 32 messages of up to 64 bytes each

Compatible Products

- Fully compatible with other IEEE 802.15.4 products, including:
 - MACdongle
 - PixieMAC
 - StarLite USB
- FlexiPanel's ZigBee Demo Board may be used for evaluation

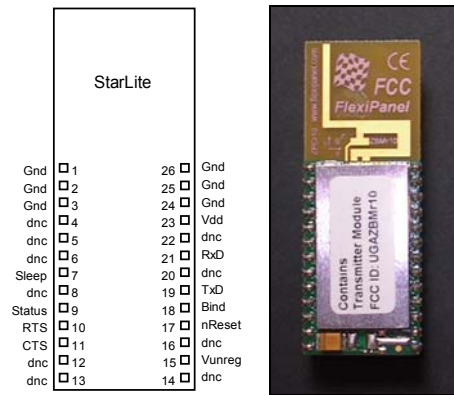


Fig 1. StarLite (viewed from above)

Hardware Features:

- Coordinator based on FlexiPanel Pixie 2.4GHz IEEE 802.15.4 RF module
- End devices based on FlexiPanel Pixie Lite 2.4GHz IEEE 802.15.4 RF module
- FCC / CE / IC compliant
- Signature 'G' antenna, free-space range 120m, compact, low 'hand-effect' design
- 9600-115200 baud serial interface with flow control
- Bind control input
- Status indicator output
- Sleep control input
- 54mm x 20mm x 3mm

Ordering Information

Table 1. Ordering information	
Part No	Description
SLPC	StarLite (coordinator)
SLLF	StarLite (fast end device)
SLLS	StarLite (sleepy end device)
StarLite is free for use with FlexiPanel Pixie products	

Manufactured to ISO9001:2000

