



PixieMAC™

Serial to IEEE802.15.4 Transceiver with Command Interface

Summary

PixieMAC provides a serial command interface for the IEEE 802.15.4 standard for single-hop low data-rate networks. It is ideal for OEMs who need to add single-hop wireless serial communications to their products. It incorporates an FCC / CE certified IEEE 802.15.4 transceiver.

PixieMAC provides a command-oriented gateway between the IEEE 802.15.4 MAC and PHY layers and the host device. The StarLite firmware provides a less flexible but command-free interface for transparent cable replacement applications.

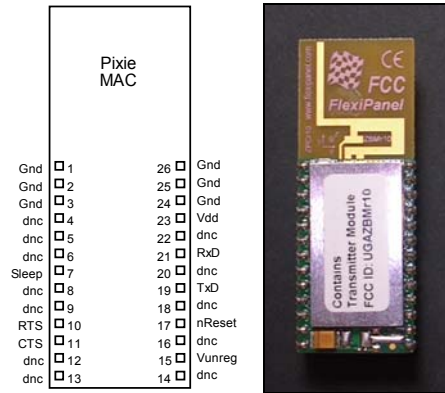


Fig 1. PixieMAC (viewed from above)

Firmware Features:

- Supports IEEE 802.15.4 non-beacon networks.
- Up to 32 cached messages (storage permitting).
- Certain devices may sleep
- Certain devices may broadcast

Compatible Products

- Fully compatible with other IEEE 802.15.4 products, including:
 - MACdongle
 - StarLite
 - StarLite USB
- FlexiPanel's ZigBee Demo Board may be used for evaluation

Hardware Features:

- 2.4GHz IEEE 802.15.4 RF module
- FCC / CE / IC compliant
- Signature 'G' antenna, free-space range 120m, compact, low 'hand-effect' design
- 115200 baud serial interface with flow control
- Sleep control input
- 54mm x 20mm x 3mm

Ordering Information

Table 1. Ordering information	
Part No	Description
PIXIE-PXMC	PixieMAC (coordinator)
PIXIE-PXMF	PixieMAC (fast end device)
PIXIE-PXMS	PixieMAC (sleepy end device)

PixieMAC is free for use with FlexiPanel Pixie products

Manufactured to ISO9001:2000

