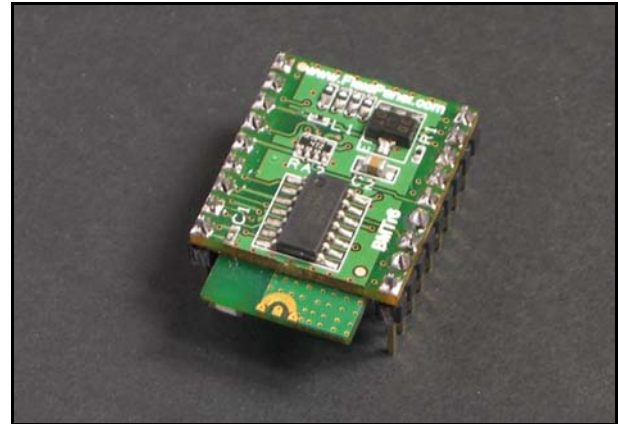
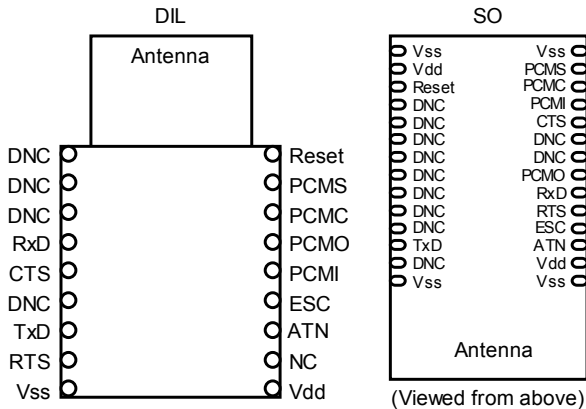




LinkMatik 2.0TM

Bluetooth 2.0 serial / audio transceiver with auto-connect modes and command interface



- Auto-Slave and Auto-Master configurations for no-host control, otherwise controlled with simple command set
- Connects with up to 4 slaves (command mode only)
- PCM audio profile (command mode only)
- Bluetooth 2.0 certified
- FCC / CE certified with integral antenna
- Maximum 570 kb/s data rate in serial mode
- End-to-end latency 8-15 ms
- Low power: ~25mA transmitting, 370µA sleep
- Authentication and encryption
- Device discovery
- Sniff, park and hold low power modes
- Hardware flow control or no flow control
- Bluetooth error correction layer
- Class I Bluetooth radio, 100m range
- 3.3-5V supply (DIL), or 3.3V supply (SO)
- Wide range of baud rates up to 2.7Mbaud (serial port only, not over-the-air)

Enquire about related products, including:

- Puck antenna for external mounting
- Parabolic dishes for directional gain
- Audio codec

Summary

LinkMatik 2.0 is a serial / PCM audio to Bluetooth data link. It can be controlled from a host controller using simple commands.

LinkMatik 2.0 can also operate without a host controller for point-to-point serial connections. Auto-Slave and Auto-Master modes allow LinkMatik 2.0 to operate a slave, master or wedded pair. LinkMatik is shipped in Auto-Slave mode.

The module can be interfaced to many standard Bluetooth devices, e.g. Laptop computers, PDA's, Mobile phones etc. PCM (Pulse Code Modulation) audio connections provide an audio interface when used with a suitable audio codec.

LinkMatik 2.0 replaces our earlier LinkMatik and BlueMatik products providing an enhanced feature set, faster data rates and substantially lower power.

Applications

- Direct access to PDA's, Laptops, Mobile Phones etc
- Wireless audio
- Cable replacement
- Process Control
- Robotics

Ordering Information

Part No	Description
LM20-DIL	Class I Bluetooth 2.0 transceiver 18pin Dual in Line package, 3.3V – 5V
LM20-SO	Class I Bluetooth 2.0 transceiver surface mount package, 3.3V

Manufactured to ISO9001:2000



FMP7516